

# ECOTRONIC



## GENERAL DATA

### Applications

ECOTRONIC 110, 120 & 130 ECOJET self priming single impeller pump fitted with the Hydrotronic pump control system  
ECOTRONIC 230, 240 & 250 ECOPLUS self priming multistage pump (with 2,3 or 4 impellers) fitted with the Hydrotronic pump control system to supply water for systems including

- Pressure Boosting
- \* Residential Homes
- \* Farming Applications
- \* Residential Irrigation
- \* Garden Irrigation Drip/Low Flow
- \* Hydroponics
- \* Rain Water Harvesting
- \* Water Supply from Shallow Wells

F version supplied with 5" filter housing and filter cartridge

### Constructional features of the pump .

Technopolymer pump body and motor support.

Carbon/ceramic mechanical seal.

Technopolymer impeller, diffuser, venturi and nozzle in ECOJET

Technopolymer impeller, diffuser, self-priming disc in ECOPLUS

### Construction of the motor

Induction motor, closed and cooled with external ventilation.

Rotor mounted on oversized greased sealed-for-life ball bearings to ensure silent running and a long life.

Built-in thermal and current overload protection on ECOTRONIC 110 & 230

Built-in thermal and resettable overload protection on ECOTRONIC 120, 130, 240 & 250

Motor protection: NEMA 3

Insulation class: F

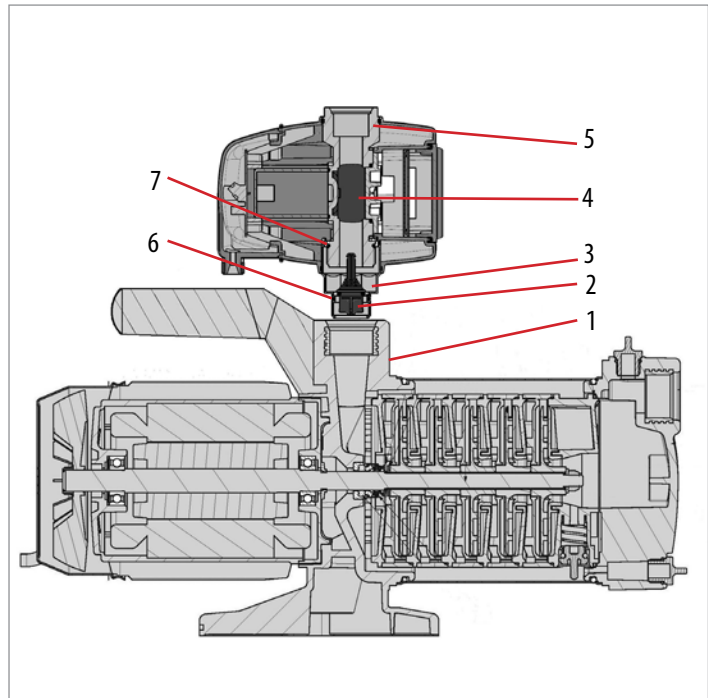
Standard voltage: 115v 60Hz

# TECHNICAL DATA

## MATERIALS

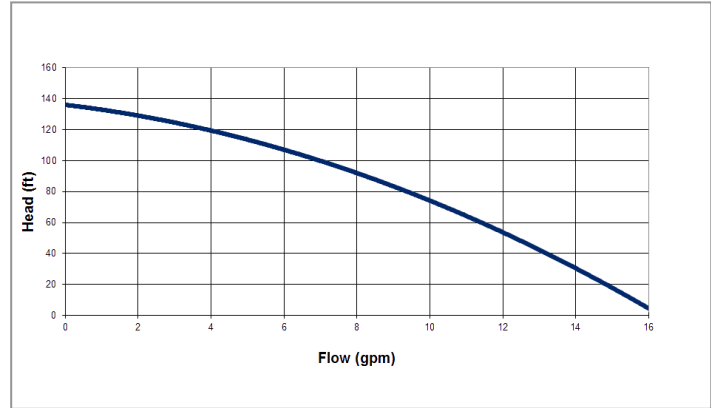
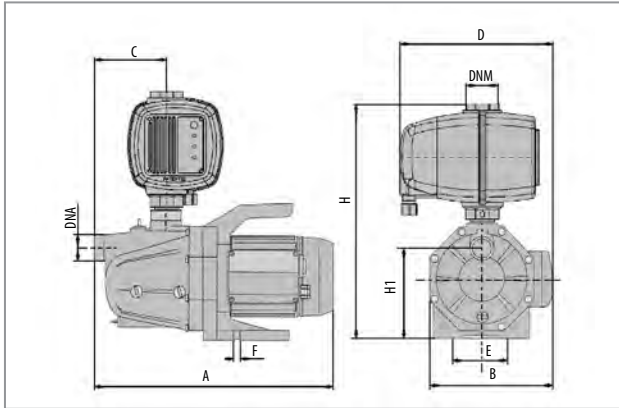
| N° | PARTS*           | MATERIALS   |
|----|------------------|---|
| 1  | PUMP             | SEE ECOJET 110, 120, 130<br>SEE ECOPLUS 230, 240, 250 |
| 2  | NON-RETURN VALVE | TECHNOPOLYMER   |
| 3  | VALVE BODY       | TECHNOPOLYMER   |
| 4  | FLOW SENSOR      | TECHNOPOLYMER   |
| 5  | FLOW SENSOR BODY | TECHNOPOLYMER   |
| 6  | OR GASKET        | NBR   |
| 7  | OR GASKET        | NBR   |
| 15 | BODY             | TECHNOPOLYMER   |

\* In contact with liquid



|                              |  |
|------------------------------|--|
| Operating Range:             | ECOTRONIC 110 to 130 From 1 to 21gpm with a head up to 164ft ( 71 psi )<br>ECOTRONIC 230 to 250 From 1 to 27gpm with a head up to 197ft ( 85 psi )             |
| Liquid quality requirements: | clean, free from solids or abrasive substances,<br>non viscous, non aggressive, non crystallized, chemically<br>neutral, close to the characteristics of water |
| Liquid temperature Range:    | From 32°F to 104°F   |
| Maximum suction depth        | 26 ft  |
| Maximum ambient temp.        | 104°F  |
| Maximum operating pressure   | 116 psi  |
| Installation:                | fixed or portable in a horizontal position   |
| Special version on request   | other voltages and/or frequencies  |

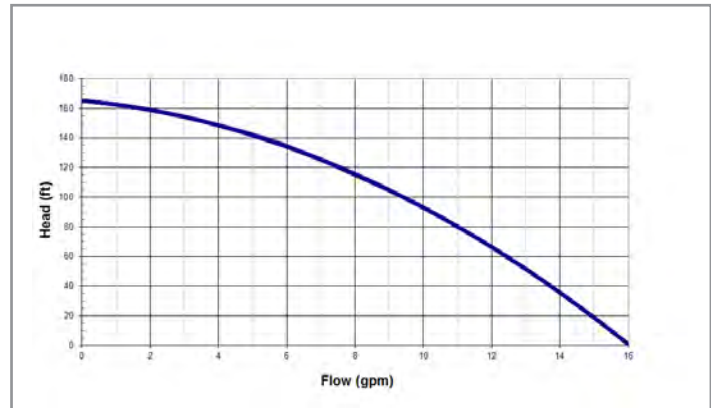
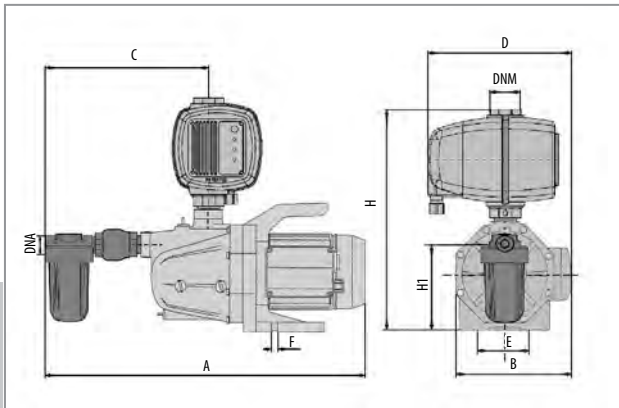
# ECOTRONIC 110



| MODEL         | A       | B      | C      | D      | E      | F    | H       | H1     | DNA    | DNM    | Weight   |
|---------------|---------|--------|--------|--------|--------|------|---------|--------|--------|--------|----------|
| ECOTRONIC 110 | 15 3/4" | 8 3/4" | 4 5/8" | 9 1/2" | 5 3/4" | 3/8" | 15 1/2" | 6 1/2" | 1" NPT | 1" NPT | 26.4 lbs |

| MODEL         | ELECTRICAL DATA |                 |     |         | HYDRAULIC DATA    |             |             |                 |
|---------------|-----------------|-----------------|-----|---------|-------------------|-------------|-------------|-----------------|
|               | Voltage<br>60Hz | P1<br>Watt   Hp |     | In<br>A | Start<br>Pressure | MAX<br>Flow | Max<br>Head | Max<br>Pressure |
| ECOTRONIC 110 | 115v            | 800             | 1/2 | 8.0     | 23 psi            | 16 gpm      | 138 ft      | 60 psi          |

# ECOTRONIC 120 F

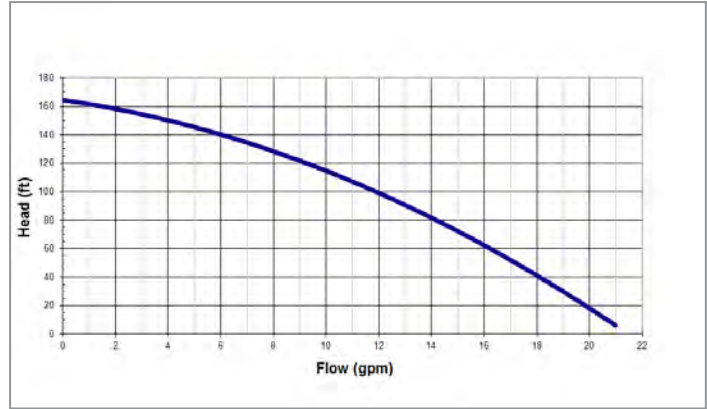
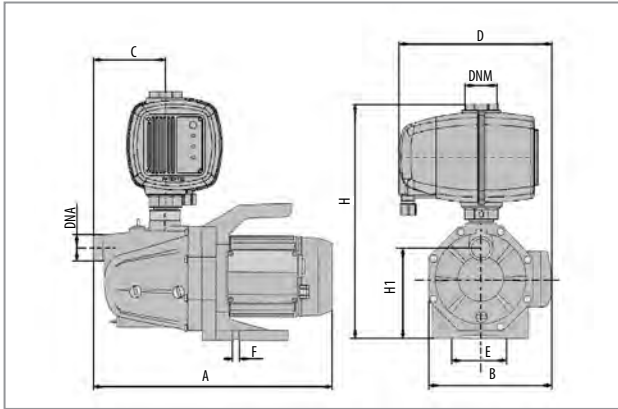


| MODEL           | A       | B      | C       | D      | E      | F    | H       | H1     | DNA    | DNM    | Weight   |
|-----------------|---------|--------|---------|--------|--------|------|---------|--------|--------|--------|----------|
| ECOTRONIC 120 F | 22 3/4" | 8 3/4" | 11 5/8" | 9 1/2" | 5 3/4" | 3/8" | 15 1/2" | 6 1/2" | 1" NPT | 1" NPT | 29.5 lbs |

| MODEL           | ELECTRICAL DATA |                 |     |         | HYDRAULIC DATA    |             |             |                 |
|-----------------|-----------------|-----------------|-----|---------|-------------------|-------------|-------------|-----------------|
|                 | Voltage<br>60Hz | P1<br>Watt   Hp |     | In<br>A | Start<br>Pressure | MAX<br>Flow | Max<br>Head | Max<br>Pressure |
| ECOTRONIC 120 F | 115v            | 1000            | 3/4 | 10.0    | 23 psi            | 16 gpm      | 164 ft      | 71 psi          |

\* IF version supplied with a 5" filter housing and sediment filter housing.

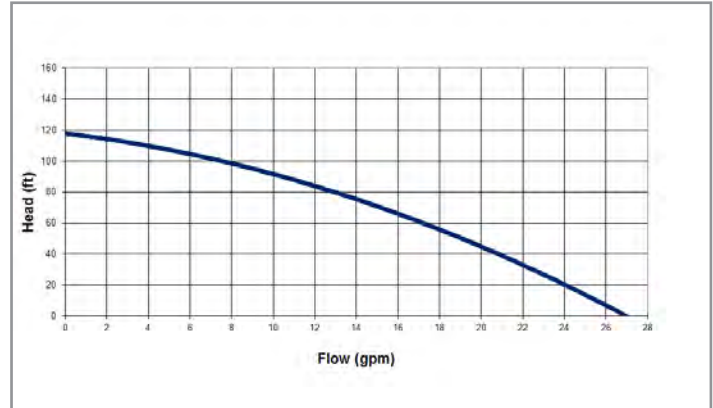
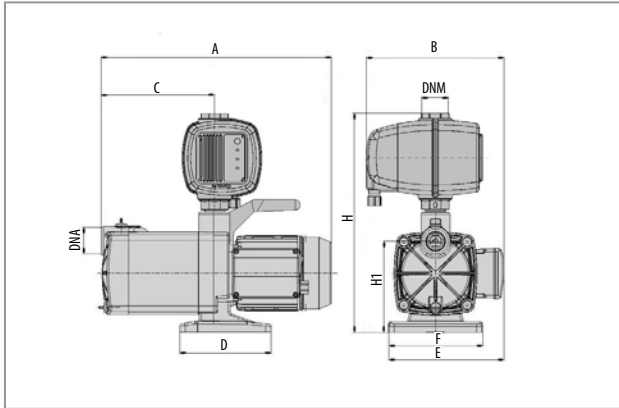
# ECOTRONIC 130



| MODEL         | A       | B      | C      | D      | E      | F    | H       | H1     | DNA    | DNM    | Weight   |
|---------------|---------|--------|--------|--------|--------|------|---------|--------|--------|--------|----------|
| ECOTRONIC 130 | 15 3/4" | 8 3/4" | 4 5/8" | 9 1/2" | 5 3/4" | 3/8" | 15 1/2" | 6 1/2" | 1" NPT | 1" NPT | 27.2 lbs |

| MODEL         | ELECTRICAL DATA |      |    |         | HYDRAULIC DATA    |             |             |                 |
|---------------|-----------------|------|----|---------|-------------------|-------------|-------------|-----------------|
|               | Voltage<br>60Hz | P1   |    | In<br>A | Start<br>Pressure | MAX<br>Flow | Max<br>Head | Max<br>Pressure |
|               |                 | Watt | Hp |         |                   |             |             |                 |
| ECOTRONIC 130 | 115v            | 1250 | 1  | 13.0    | 23 psi            | 21 gpm      | 164 ft      | 71 psi          |

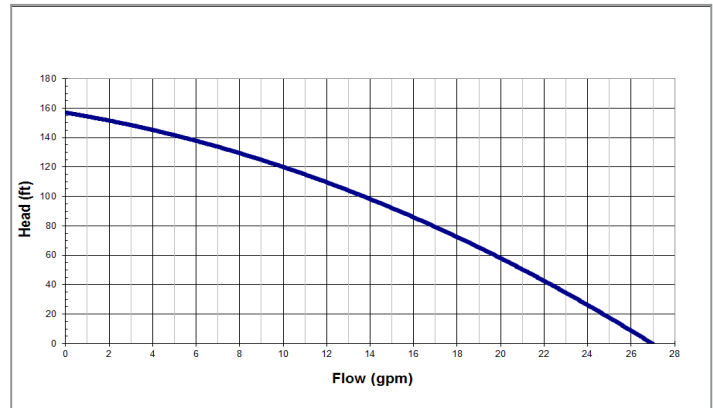
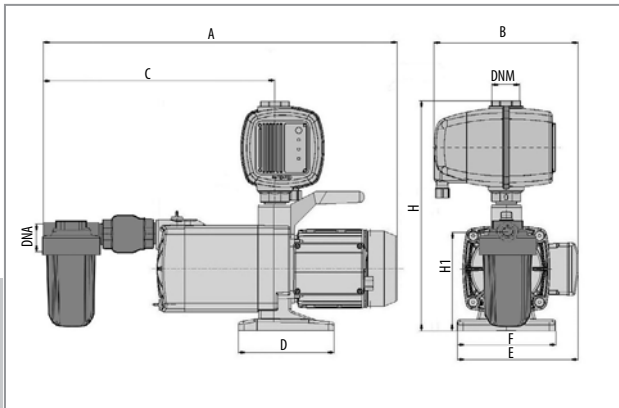
# ECOTRONIC 230



| MODEL         | A       | B      | C      | D      | E      | F      | H       | H1     | DNA    | DNM    | Weight   |
|---------------|---------|--------|--------|--------|--------|--------|---------|--------|--------|--------|----------|
| ECOTRONIC 230 | 16 1/8" | 9 1/2" | 7 1/8" | 6 3/4" | 8 1/2" | 5 5/8" | 15 3/8" | 5 5/8" | 1" NPT | 1" NPT | 26.4 lbs |

| MODEL         | ELECTRICAL DATA |                 |     |         | HYDRAULIC DATA    |             |             |                 |
|---------------|-----------------|-----------------|-----|---------|-------------------|-------------|-------------|-----------------|
|               | Voltage<br>60Hz | P1<br>Watt   Hp |     | In<br>A | Start<br>Pressure | MAX<br>Flow | Max<br>Head | Max<br>Pressure |
| ECOTRONIC 230 | 115v            | 800             | 1/2 | 7.5     | 23 psi            | 27 gpm      | 118 ft      | 51 psi          |

# ECOTRONIC 240 F

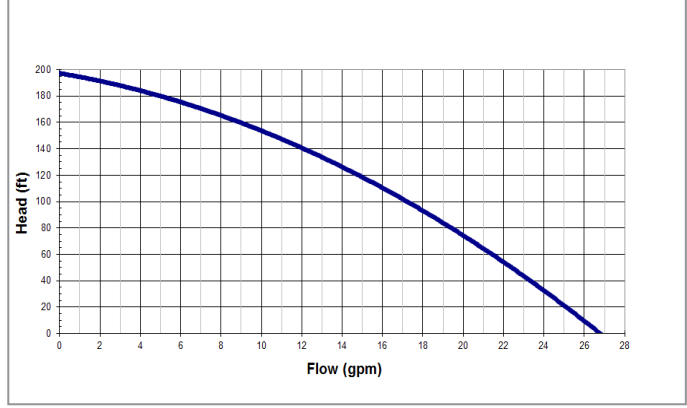
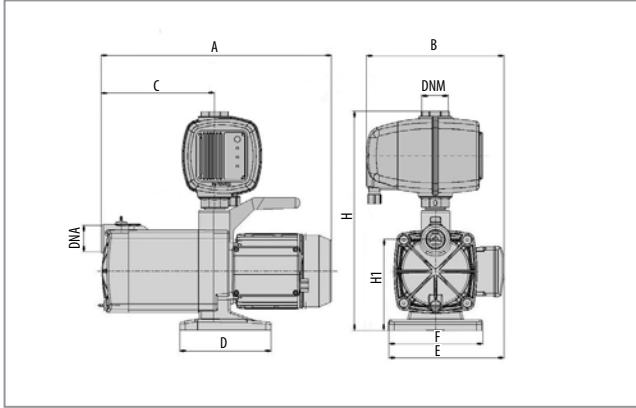


| MODEL           | A   | B      | C       | D      | E      | F      | H       | H1     | DNA    | DNM    | Weight   |
|-----------------|-----|--------|---------|--------|--------|--------|---------|--------|--------|--------|----------|
| ECOTRONIC 240 F | 24" | 9 1/2" | 15 1/4" | 6 3/4" | 8 1/2" | 5 5/8" | 15 3/8" | 5 5/8" | 1" NPT | 1" NPT | 29.5 lbs |

| MODEL           | ELECTRICAL DATA |                 |     |         | HYDRAULIC DATA    |             |             |                 |
|-----------------|-----------------|-----------------|-----|---------|-------------------|-------------|-------------|-----------------|
|                 | Voltage<br>60Hz | P1<br>Watt   Hp |     | In<br>A | Start<br>Pressure | MAX<br>Flow | Max<br>Head | Max<br>Pressure |
| ECOTRONIC 240 F | 115v            | 1000            | 3/4 | 10.0    | 23 psi            | 27 gpm      | 157 ft      | 68 psi          |

\* IF version supplied with a 5" filter housing and sediment filter housing.

# ECOTRONIC 250



| MODEL         | A    | B       | C       | D       | E       | F       | H        | H1      | DNA    | DNM     | Weight   |
|---------------|------|---------|---------|---------|---------|---------|----------|---------|--------|---------|----------|
| ECOTRONIC 250 | 18 " | 9 1/2 " | 9 1/4 " | 6 3/4 " | 8 1/2 " | 5 5/8 " | 15 3/8 " | 5 5/8 " | 1" NPT | 1 " NPT | 27.2 lbs |

| MODEL         | ELECTRICAL DATA |      |    |         | HYDRAULIC DATA    |             |             |                 |
|---------------|-----------------|------|----|---------|-------------------|-------------|-------------|-----------------|
|               | Voltage<br>60Hz | P1   |    | In<br>A | Start<br>Pressure | MAX<br>Flow | Max<br>Head | Max<br>Pressure |
|               |                 | Watt | Hp |         |                   |             |             |                 |
| ECOTRONIC 250 | 115v            | 1200 | 1  | 13.0    | 23 psi            | 27 gpm      | 197 ft      | 85 psi          |