

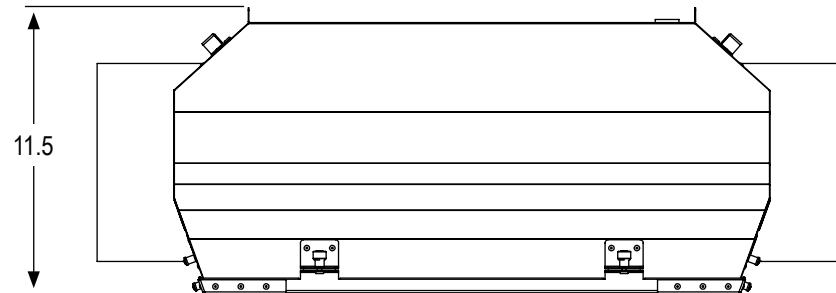
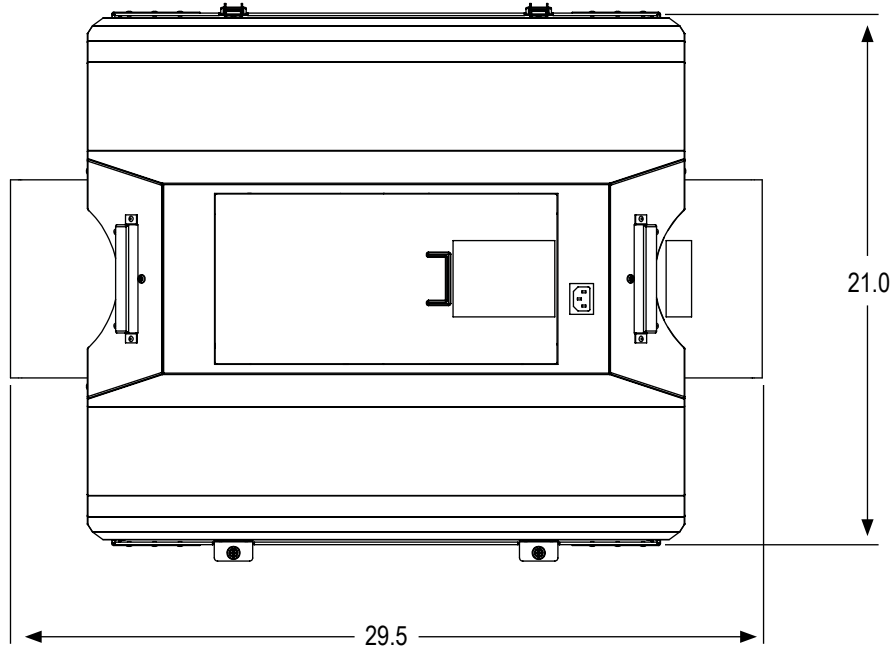
SPECIFICATIONS

AC/DE Fusion™ 8-Inch Air-Cooled Fixture - 120-240 Volt

Item #906602



• = yes



REFLECTOR WEIGHT: 29.5 lbs

•	ETL LISTED
Tested to UL Standard #1598	
Tested to CSA Standard C22.2 No. 250	
•	AIR-COOLED
•	ACCEPTS GLASS
•	HINGED GLASS FRAME
•	FABRICATED IN USA*
•	3 YEAR WARRANTY
TRANSFORMER VOLTAGE	
•	120 - 240
AMPS AT 120V POWER: 10.2	
AMPS AT 240V POWER: 5.1	
POWER SOURCE khz: 105	
POWER FACTOR (cosø): > 0.99	
MAX AMBIENT TEMPERATURE: 40°C	
TOTAL HARMONIC DISTORTION: < 10%	
POWER CORD	
•	DETACHABLE 120V SMART VOLT**
LAMP COMPATIBILITY	
•	Double-Ended HPS
•	Double-Ended MH
Max. Wattage: 1000	
LAMP POSITION	
•	HORIZONTAL
	VERTICAL
LAMP SOCKET TYPE	
•	INTEGRATED DOUBLE-ENDED
	INTEGRATED 5KV MOGUL BASE

* with US and globally sourced parts
 ** 240 volt cord sold separately



This document is not intended to be used for installation purposes. We cannot cover all specific applications or anticipate all requirements. All specifications are subject to change without notice.