

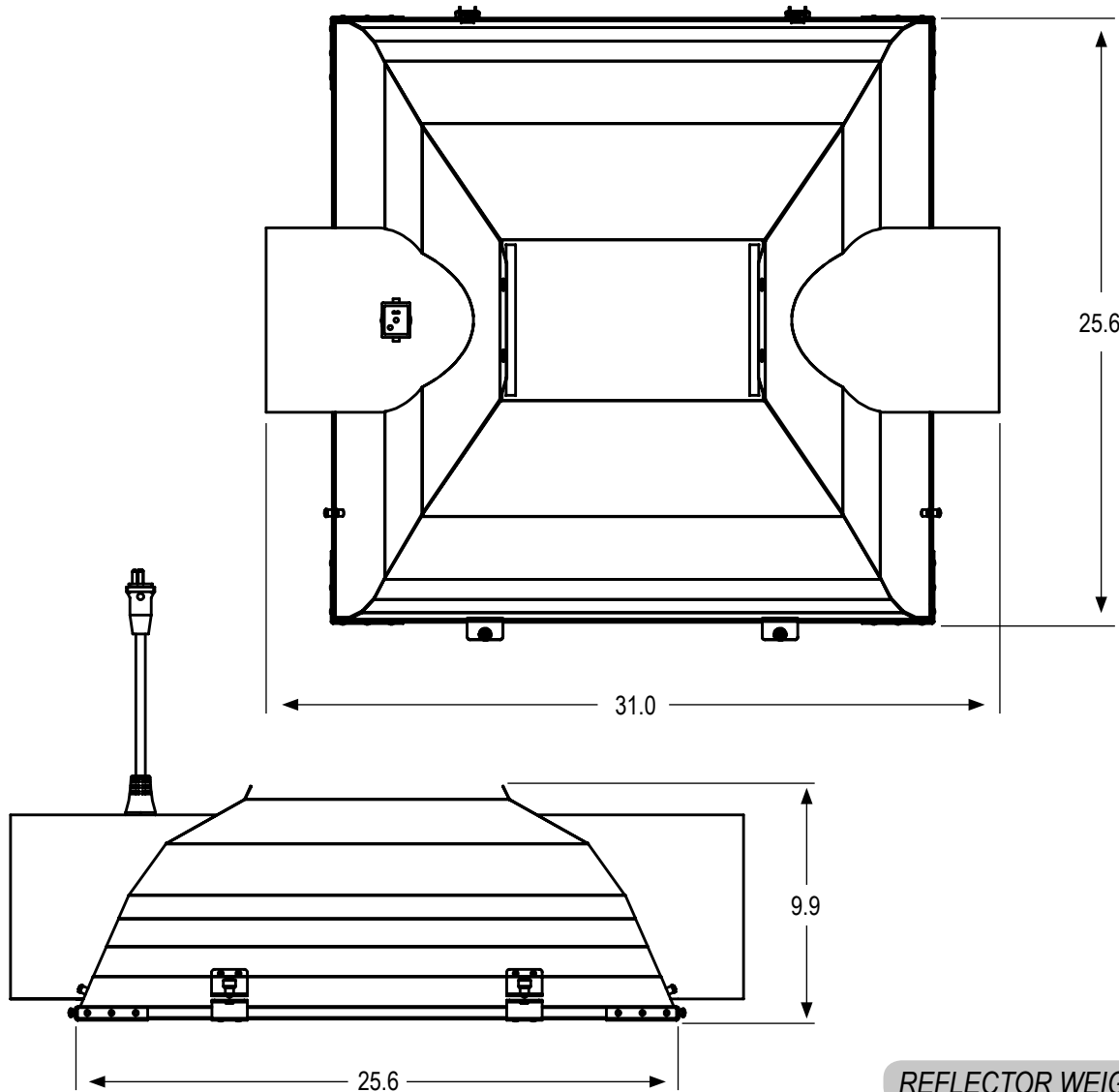
# SPECIFICATIONS

# BlockBuster® 8 Inch Air-Cooled Reflector Generation 3

Item #904655



• = yes



**REFLECTOR WEIGHT: 23.0 lbs**

•	ETL LISTED
	NOT ETL LISTED
<b>Tested to UL Standard #1598</b>	
•	AIR-COOLED
•	ACCEPTS GLASS
•	HINGED GLASS FRAME
	DETACHABLE LAMP CORD
•	600 VOLT RATED CORD
•	FABRICATED IN USA*
•	5 YEAR WARRANTY
<b>BALLAST COMPATIBILITY</b>	
•	HPS
•	MH
<b>Max. Wattage: 1000</b>	
<b>LAMP COMPATIBILITY</b>	
•	HPS
•	MH
<b>Max. Wattage: 1000</b>	
<b>LAMP POSITION</b>	
•	HORIZONTAL
	VERTICAL
<b>LAMP SOCKET TYPE</b>	
	INTEGRATED DOUBLE-ENDED
•	INTEGRATED 5KV MOGUL BASE

\* with US and globally sourced parts