



---

# Hurricane™

## AFTERBURNER™

### Mixed Flow Fans Instruction Guide

proven aerodynamic performance  
easy to install | maximum efficiency  
lightweight sealed housing  
lower monthly costs | extremely quiet  
very compact size

Use a "QR Code App" on  
your smart phone to access  
our website and browse our  
entire product offering or go  
to: [www.hurricane-fans.com](http://www.hurricane-fans.com)



# Hurricane™

[www.hurricane-fans.com](http://www.hurricane-fans.com)

---



# Hurricane™

[www.hurricane-fans.com](http://www.hurricane-fans.com)

---

## ASSEMBLY INSTRUCTIONS

**PLEASE READ ALL INSTRUCTIONS BEFORE BEGINNING INSTALLATION.**

**CAUTION** - Before carrying out any maintenance or servicing, ensure the unit is disconnected from the main power supply.

**FOR GENERAL VENTILATION USE ONLY.**

**DO NOT USE TO EXHAUST HAZARDOUS OR EXPLOSIVE VAPORS.**

**WARNING-** TO REDUCE THE RISK OF FIRE, ELECTRICAL SHOCK OR INJURY, OBSERVE THE FOLLOWING:

- Use this unit only in the manner intended by the manufacturer.
- Afterburner™ fans are designed for use in up to 95% relative humidity. The fan is not suitable for use in corrosive or explosive environments.
- Before servicing or cleaning the unit, switch power off at service panel and lock the service disconnecting means to prevent power from being switched on accidentally.
- When the service disconnecting means cannot be locked, securely fasten a prominent warning device, such as a tag, to the service panel.
- Installation work and electrical wiring must be done by qualified person(s) in accordance with all applicable codes and standards, including fire-rated construction.
- When cutting or drilling into wall or ceiling, do not damage electrical wiring or other hidden utilities.
- Ducted fans must always be vented to the outdoors.
- NEVER place a switch where it can be reached from a tub or shower.
- To reduce risk of electrical shock, do not expose to water or rain.
- Afterburner™ fans have an unguarded impeller. Do not use in locations readily accessible to people or animals.

**WARNING-** The fan must be isolated from the power supply during installation and maintenance. The fan must be grounded in accordance with local regulations.

## INSTRUCTIONS

- Upon receipt, the fan equipment should be visually inspected to check for any damage. Ensure that the impeller is free to rotate.
- If you have any questions about the fan equipment, contact your retailer prior to installation.
- Use the mounting brackets supplied with the fan to mount the fan in the desired position. See Figure 1 and Figure 2 on the next page for different mounting options. The fan can be mounted at any angle.
- The fan should be mounted directly to a stud or other framing member. If this is not possible, make sure to use lag bolts or other inserts capable of supporting at least 25 lbs.

## MOUNTING OPTIONS

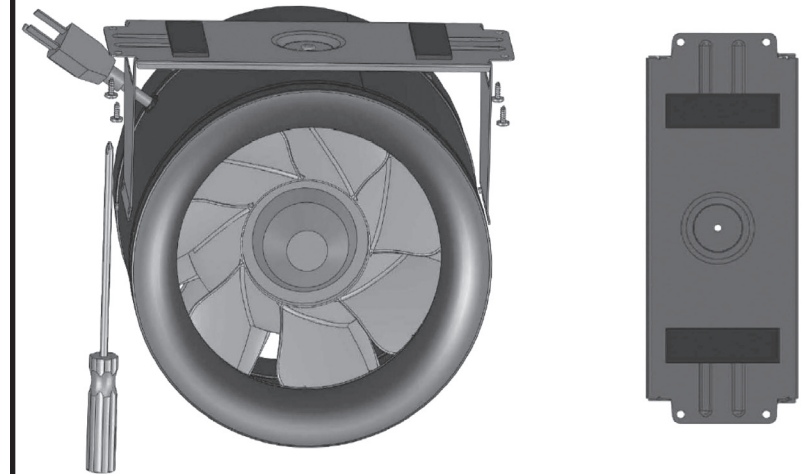


FIGURE 1

FIGURE 2

- Check the details on the motor rating plate to ensure that the correct power supply (voltage, frequency and phase) is available.
- An incorrect power supply will lead to permanent damage to the fan motor and will void the warranty.
- Means for electrical disconnection must be incorporated in the wiring installation in accordance with relevant wiring and electrical regulations.

**WARNING-** This fan is fitted with a non self-resetting thermal cut-out that switches the fan off in the event of a fault condition. To reset, turn the power off for one minute, then back on. Only a suitably qualified and competent person may carry out maintenance after the electrical supply has been isolated.

## MAINTENANCE

The fan bearings are sealed for life and therefore do not require any lubrication. We recommend inspection of the product at least once every twelve (12) months to ensure that the motor, fan blades, and supporting guards are clean. All fasteners should be checked and tightened if necessary. In addition, all rotating items should be checked. To inspect the unit, disconnect from electrical supply and remove from ducting. If any debris is evident on the impeller, clean with a damp (not wet) cloth. DO NOT USE any detergents or abrasive materials for cleaning.