

Sun Stand™ 2

HEAVY DUTY H.I.D. AND FLUORESCENT LIGHT STAND

ASSEMBLY INSTRUCTIONS

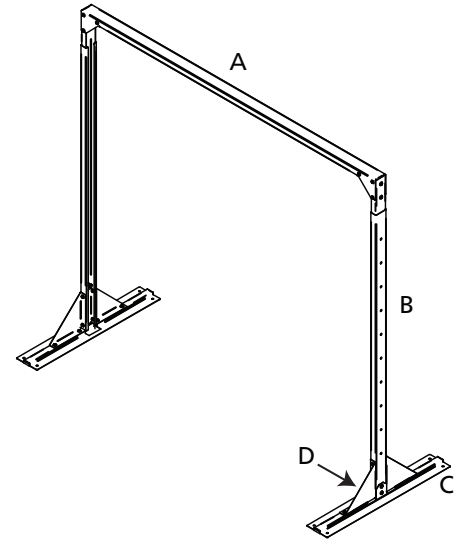
This unit contains:

Parts to Assemble Sun Stand™ 2

Qty	Description
1 ea	Top bar (A)
2 ea	Side upright bars (B)
2 ea	Feet (C)
36 ea	1/4-20 x 3/8" screws
4 ea	Foot support gussets (D)

Parts to hang column

Qty	Description
2 ea	Grow Yo-Yo's
2 ea	24" jack chain
2 ea	Hanging shuttles



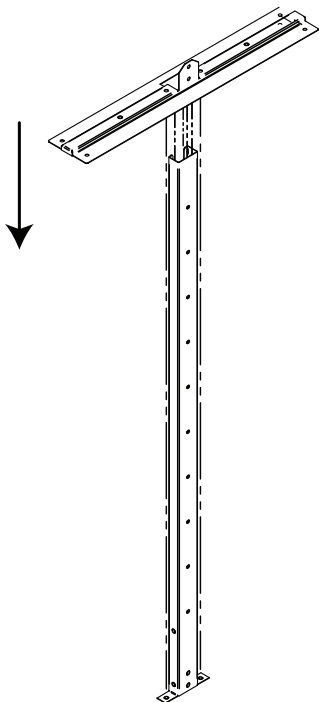
You will need a #3 Phillips screwdriver to assemble this Sun Stand™ 2.

Step 1. Place foot over top of outer leg and slide towards bottom.

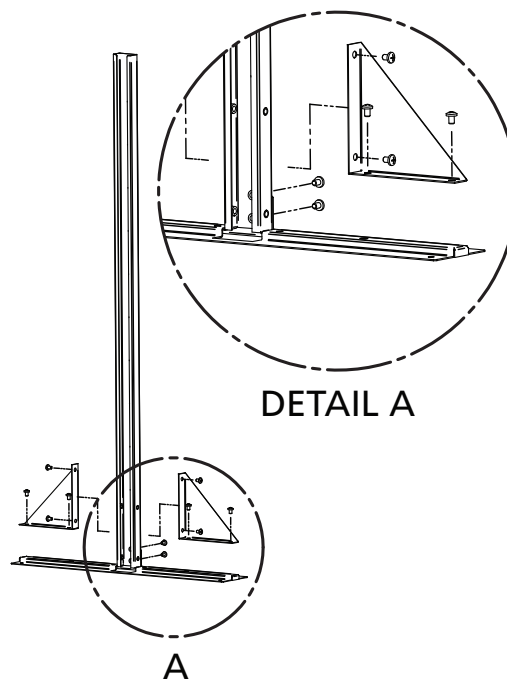
Step 2. Place a foot support gusset with flat surface out in corner of leg and attach each gusset with four screws. Then attach the foot to the outer leg with two screws.

Step 3. Repeat step 2 for other side.

STEP 1

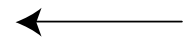


STEP 2



STEP 3

Repeat step 2 for the other side.



Step 4. Slide inner leg into outer leg pulling back the spring loaded pin to allow it to slide all the way down. Lift inner leg to set pin into hole.

Step 5. Repeat step 4 for other side leg.

Step 6. Insert both shuttles into top by sliding in from underneath on the sides.

Step 7. Place top piece over leg assembly and attach using eight screws.

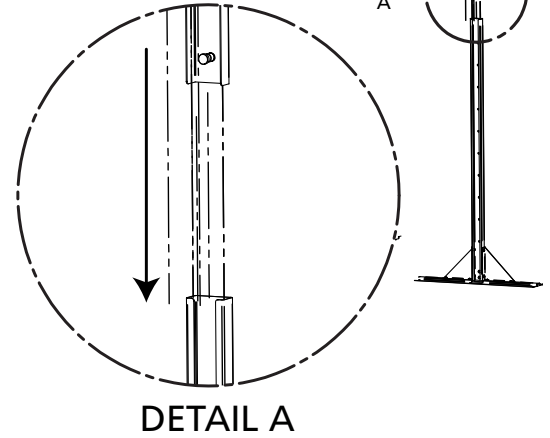
Step 8. Repeat step 7 for other side.

Step 9. Adjust shuttles to the proper spacing for light by pushing upwards and sliding into proper stop.

Step 10. Project completed.

STEP 4

PULL THIS PIN OUT WHILE INSERTING INTO OUTER LEG



STEP 5

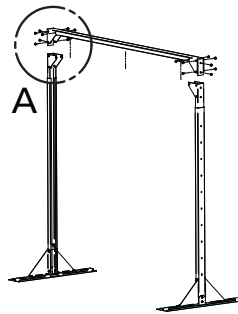
Repeat step 4 for the other side.



STEP 6

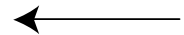


STEP 7

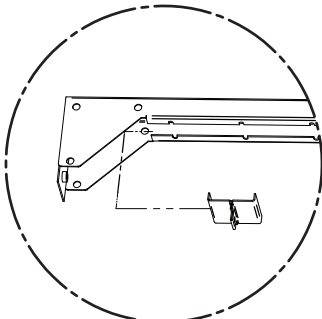


STEP 8

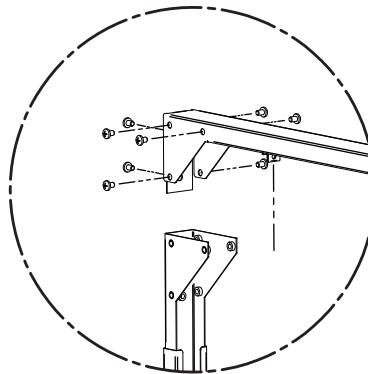
Repeat step 7 for the other side.



DETAIL A



DETAIL A



Sunlight Supply, Inc.

National Garden Wholesale.

www.sunlightsupply.com