



sun-huts.com

INSTRUCTIONS

Models 45, 90 & 150

Part #706652 Model 45
Part #706654 Model 90
Part #706658 Model 150

Assembled Sizes: Model 45 – 2.5'W x 2.5'D x 7.1'H
Model 90 – 3.6'W x 3.6'D x 7.1'H
Model 150 – 4.6'W x 4.6'D x 7.1'H



2 PEOPLE
Recommended
for Assembly

BEFORE YOU BEGIN:

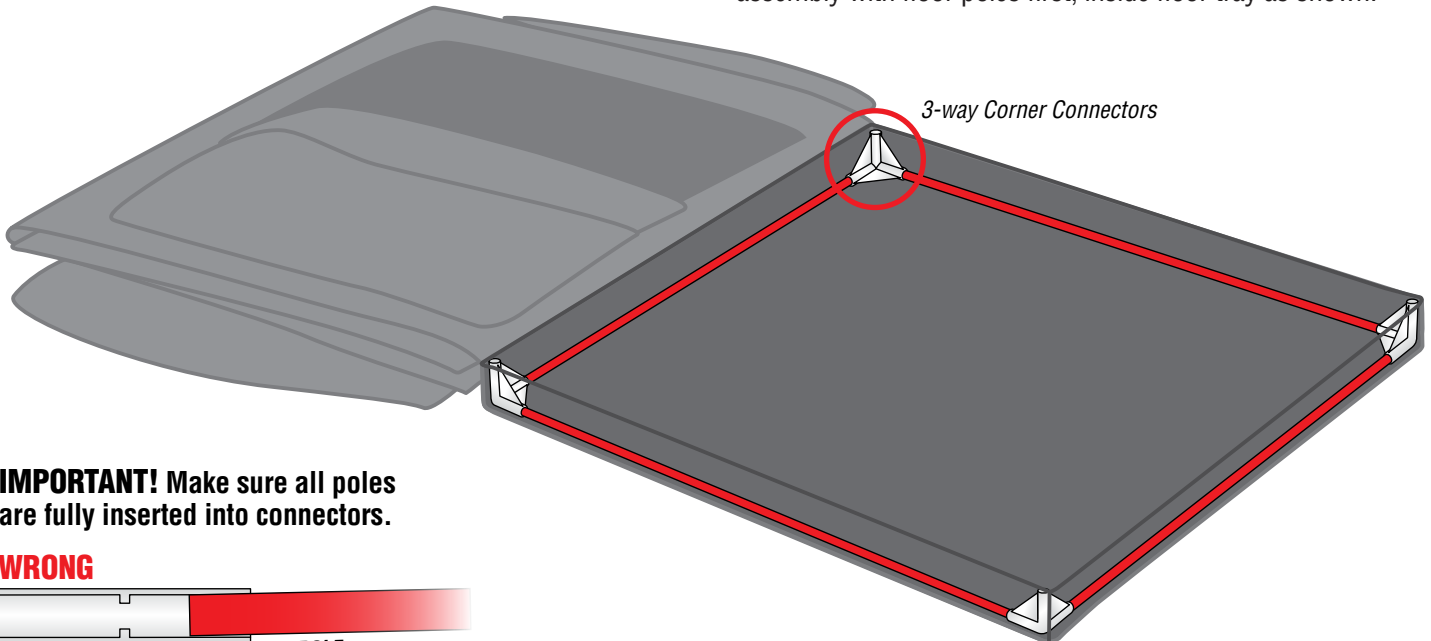
Make sure you have a clear, unobstructed area to work in. Lay out all poles and connectors, grouped according to their size and/or shape. **2 PEOPLE are recommended to safely lift and fit tent body over assembled frame.**

PARTS LIST

- | | | |
|---|---|--|
| <p>11 Floor & Ceiling Poles
Model 150: 54" 1372mm</p> <p>Model 90: 41" 1042mm</p> <p>Model 45: 28" 712mm</p> | <p>4 Straight Pole Connectors</p> <p>8 3-way Corner Connectors</p> <p>6 Equipment Hanger Connectors</p> <p>1 Removable Mylar Floor Insert</p> | <p>2 Window Covers</p> <p>2 Vent Covers</p> <p>2 Equipment Straps</p> |
|---|---|--|

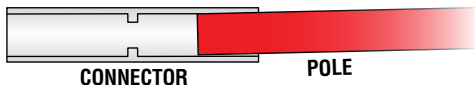
STEP 1

Lay out tent body, unzip all doors, then fully expose rubberized floor tray and smooth it flat. Start frame assembly with floor poles first, inside floor tray as shown.



IMPORTANT! Make sure all poles are fully inserted into connectors.

WRONG



RIGHT



Not to exact scale – shows pole and connector placement only.



STEP 2 Add wall poles and 3-way Corner Connectors at top.

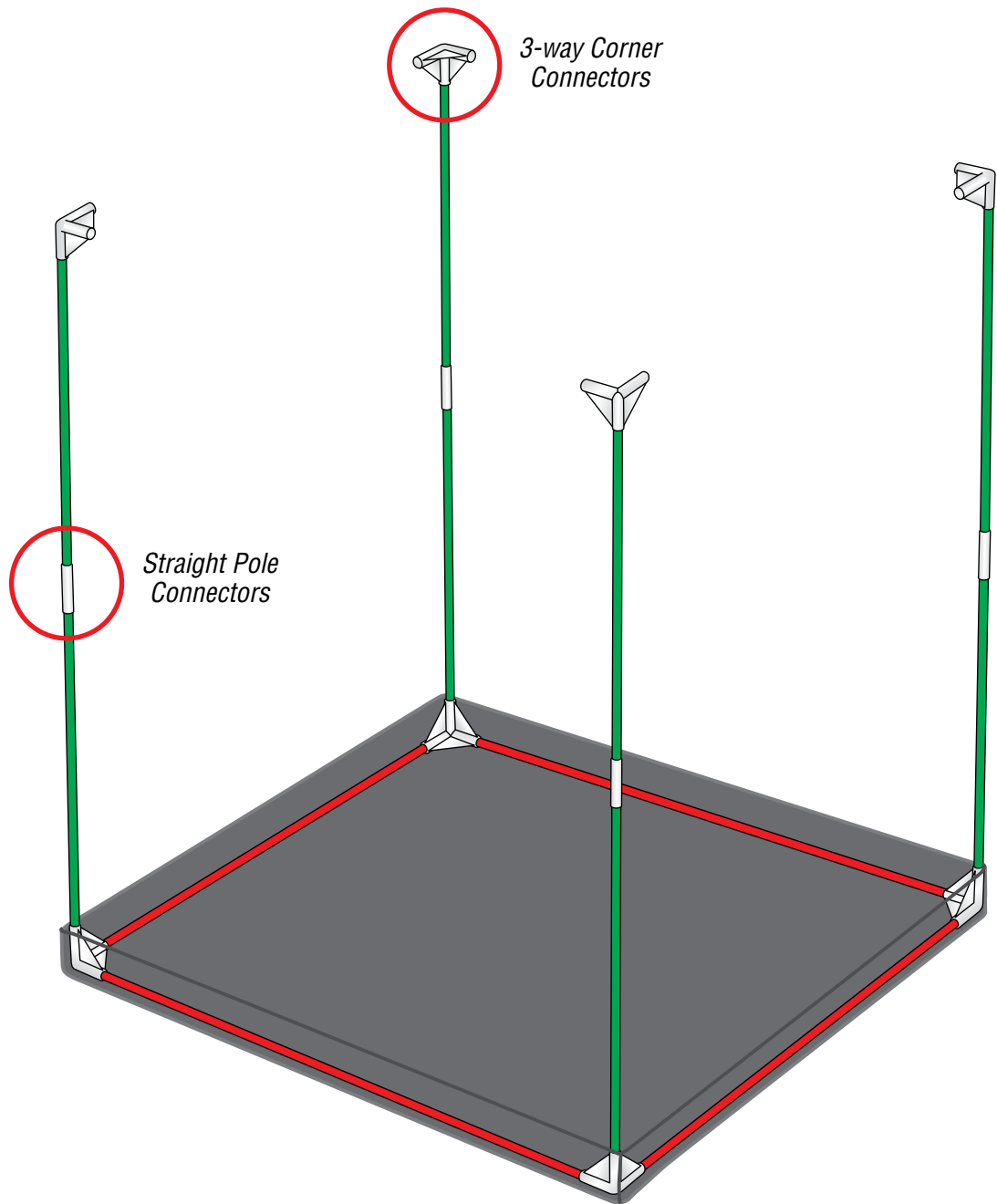
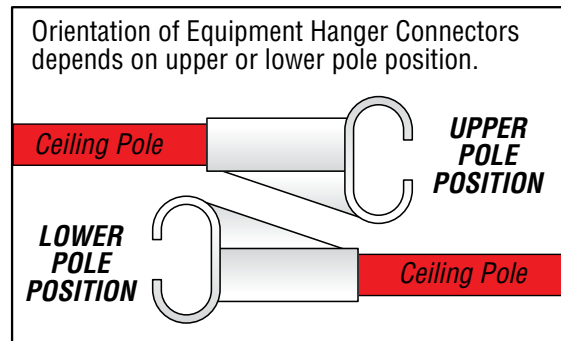
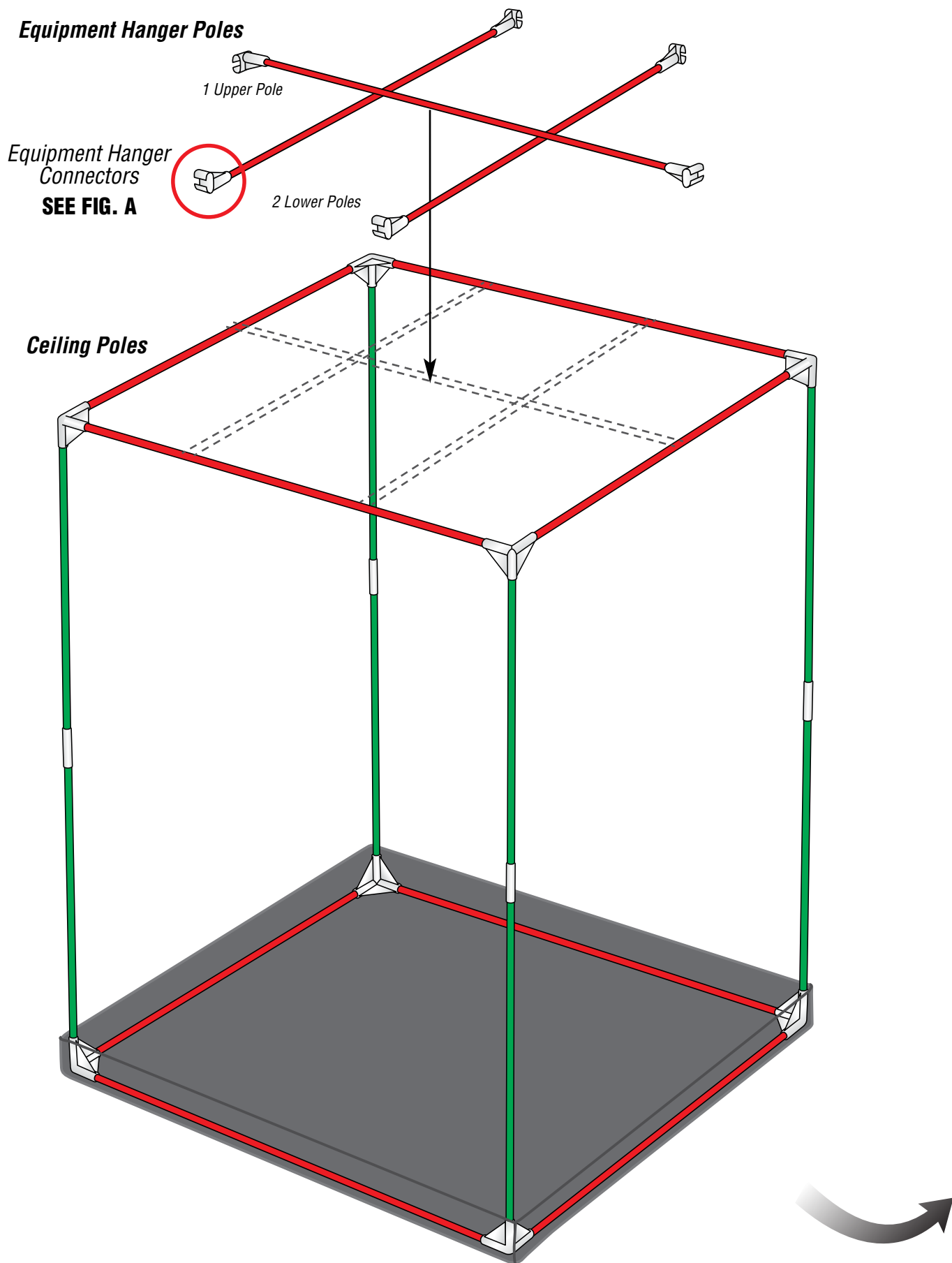


Fig. A



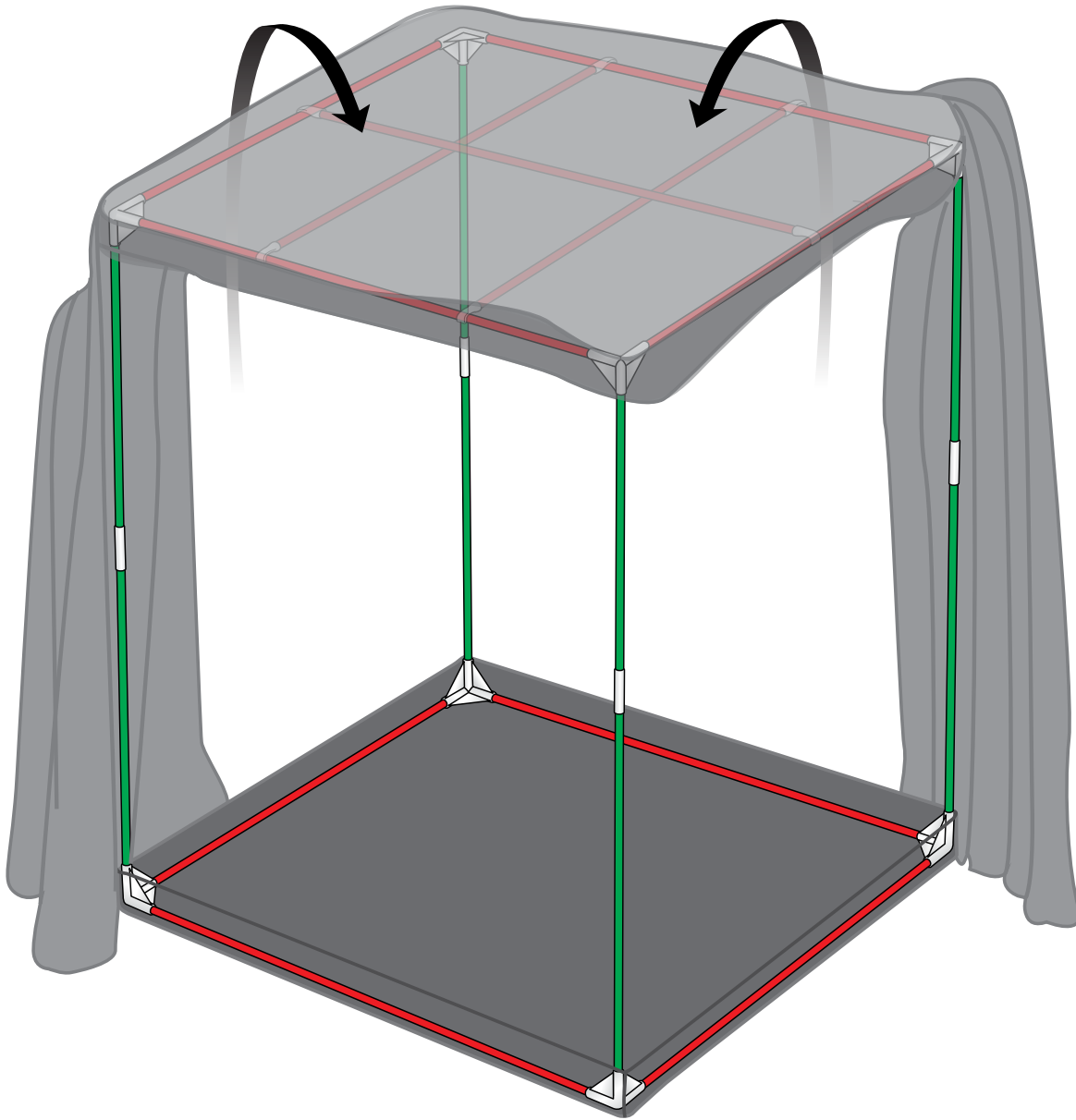
STEP 3

Assemble Ceiling Poles and Equipment Hanger Poles.



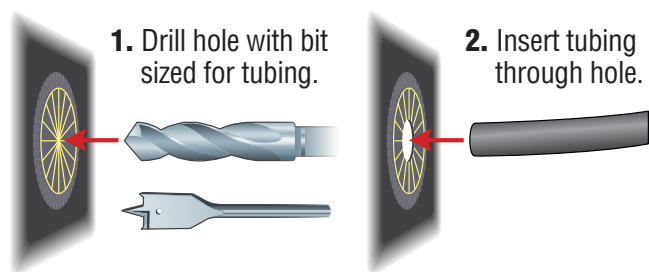
STEP 4

Carefully lift tent body and fit over completely assembled frame (2 people are recommended for this job – 1 person attempting to force the tent body over the frame could cause damage). After tent body is evenly placed, zip doors closed and make final adjustments to fit. Move equipment in and start growing!

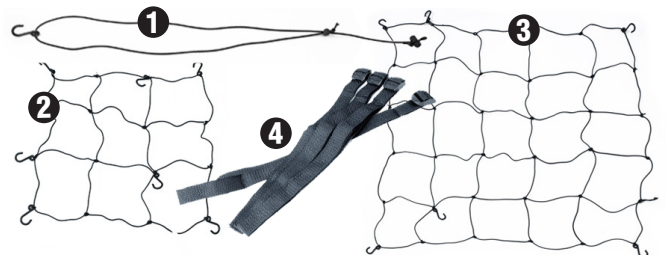


Sonic Welded Irrigation Line Access Ports:

Located 2 per side, these reinforced, light-tight access ports allow reservoir and other plumbing to be placed outside grow tent.



OPTIONAL ACCESSORIES



1. #706590 Elastic Support (4/pack)
2. #706592 2' x 3.33' Elastic Trellis (1/pack)
3. #706594 4' x 5' Elastic Trellis (1/pack)
4. #706596 Support Strap (2/pack)
5. #706598 16mm S Hook (5/pack)
6. #706600 22mm S Hook (5/pack)

FRAME ASSEMBLY DIAGRAM

Not to exact scale – to show pole and connector placement only.

8 41.4" Wall Poles
1052mm

11 28" Floor & Ceiling Poles
712mm



3-way Corner
Connectors

