

IDEALair™ DS190

#700837



190 PINT MANUAL

Rating @ 190Pint 86°F 80%RH
115Pint 80°F 60%RH

ONE:

IMPORTANT SAFETY INSTRUCTIONS

- Please read instructions carefully before using the machine.
- Please make sure the power supply is 115V/60Hz before operation.
- Please do not pull out the plug by pulling power cord.
- Please be careful while you move the machine, avoid tangling the power cord.
- DO NOT put fingers on any other objects into the machine barrier.
- DO NOT allow children to climb or sit on machine.
- Please remove the plug before cleaning.
- Please use a grounded power cord.
- Please do not use the machine in a airtight room.
- Please keep these instructions.

NOTICE:

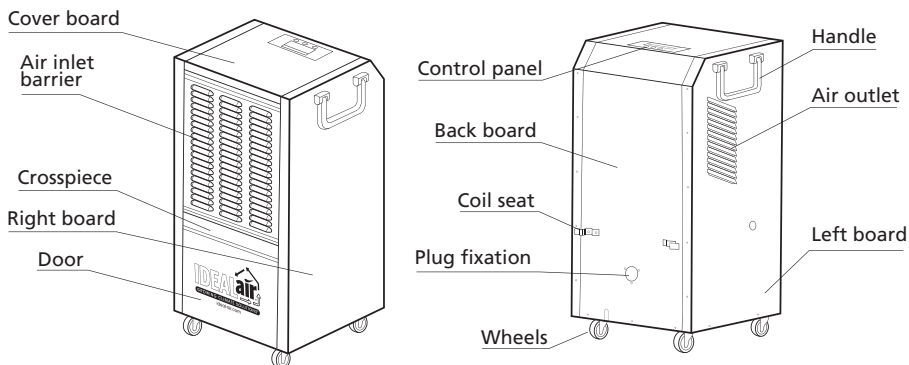
We advise any repair should be done by a professional repair person. We are not responsible for any problem which is caused by unprofessional repair person.

NOTE:

The best humidity range for human health, furniture and other goods protection is 45% - 65%. We suggest you keep the humidity in this range.

TWO:

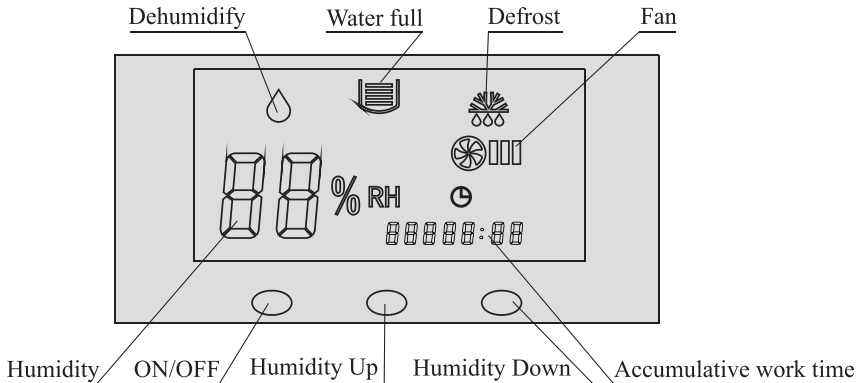
INTRODUCTION OF CONFIGURATION



THREE:

OPERATION INSTRUCTION

1) Button and icon instructions



2) Instructions of buttons:

- ON/OFF:** Each press ON/OFF, unit runs in a circulate "on-off-on"
- Humidity Down:** When unit runs on dehumidify mode, press Humidity Down button each time, humidity falls 1%, press for 2 seconds, humidity falls by 5% per second.
- Humidity Up:** When unit runs on dehumidify mode, press Humidity Up button each time, humidity raises 1%, press for 2 seconds, humidity raised by 5% per second.

3) Instruction of function mode:

Unit makes a "BEEP" sound when powered on. Then when switch button is in humidity mode, the indicator light of the Dehumidifier will light up.

The default setting for humidity is 60%, the machine's dehumidifying range is 30%-90%. Use the Humidity Up and Down buttons to adjust the humidity setting. If you keep pressing the Humidity Down button when the humidity setting is at 30%, the unit will go into continuous dehumidify mode which will show as "CO" (Continuous Operation) on the the LCD display. The humidity % will flash when setting the humidity, then display current humidity after 5 seconds.

FOUR:

NOTICE OF OPERATION

1. There is a 3 minute delay after machine has shut down prior to next start up cycle.
2. The machine will operate between 41°F – 89.6°F.
3. Do not place the unit on ground slopping more than 45 degrees.
4. We suggest wash the filter once per month. Immerse the filter in warm water when cleaning, lightly brush, install after it air dries.
5. Make sure the machine's air inlet and outlet are 10cm / 4" away from the wall to ensure proper operation.
6. Completely clean water tank after using to avoid mold growth.
7. Pull out the plug if not using the unit for long periods of time. Coil the power cord on the coil seat and insert the plug into the plug holder.
8. There is a door at the front of the machine. Press the top of the door, to open it automatically. Remove the water tube, connect one end with water outlet to the water tank, and the other end through the water drainage port on left side of machine. Maximum length of the tube is 20'.

When the room temperature is low, unit will run into Auto-Defrost function.

"Accumulative work time" on display means how much time unit have be operated. (This number is calculated by ten minutes, the first ten minutes latest after power off doesn't calculated in).

FIVE:

TROUBLE SHOOTING

MALFUNCTIONS	ANALYSIS	SOLUTION
Does not humidify	1) Power failure 2) Switch is in off position 3) E4 is illuminated on display panel	1) Check Circuit breaker 2) Switch is in on position 3) Empty water tank
Dehumidify in low	1) Filter dirty 2) Blockage in air inlet or outlet 3) Room is not sealed 4) Temperature is low in room	1) Clean Filter 2) Remove Blockage 3) Close the doors, window and block any sunlight 4) The dehumidify capacity is low when room temperature is low
Random noise	1) Unit is unstable 2) Air outlet clogged	1) Stabilize unit 2) Clean air filters

When above malfunctions occur and must be repaired, contact Ideal-Air technical support, do not disassemble the machine privately.

Hot air blowing from the air outlet is normal.

SIX:

ERROR CODES

This machine can identify some malfunctions itself. The error codes that may be displayed are in the table below.

CODE	PROBLEM
E3	Humidity sensor has failed
E4	Water tank is full
E5	Temperature sensor has failed

SEVEN:

TECHNOLOGY SPECIFICATION

MODEL	DS190
POWER	115V/60Hz
86°F & 80% RH	190 pint per day
NOMINAL RATED POWER CURRENT	10.5 AMPS
NET WEIGHT	152 lbs
SIZE	26" X 22" X 42"

TESTING CONDITIONS: 86°F & 80%RH

GLOSSARY OF TERMS



A/C – Air conditioning also referred to as A/C. A system or device for reducing the temperature, & humidity, in a space.

AHAM – Acronym for Association of Home Appliance Manufacturers. AHAM produces the official rating for dehumidifiers.

BTU – British Thermal Unit. A single BTU is the amount of energy required to cool or heat a pound of water one degree Fahrenheit.

Condenser – The unit used to condense a substance from a gaseous state to liquid by cooling it. Condensers are generally recognized as heat exchangers. In the case of air conditioners they extract the inside heat from the interior of the air conditioner to the outside air. Often referred to as “the outdoor unit”.

Dehumidifier – Also called Duhums. Dehumidifiers remove humidity and are used to keep a rooms humidity levels in check. Maintaining correct humidity will ensure a healthy crop. Too much humidity will cause molds, rot and devastate your crop.

Digital Inverter Compressor – A digitally controlled compressor that converts AC voltage to DC voltage to control compressor speed. The inverter allows precise throttle control of the conditioning unit based on the load or need. Inverter units are quieter, more efficient and last longer.

Ductless Mini-Split – An air conditioner or heat pump that requires no duct work to function. The unit hangs on the wall or ceiling and cools or heats the surrounding area.

Evaporator – The indoor portion of the heat pump or air conditioner. In a mini-split system this hangs on the wall or ceiling and provides the heating or cooling of the space.

H/P – Heat Pump. A unit that can operate as both an air conditioner or a heater. When it's cold outside a heat pump extracts the outside heat and transfers it inside. When it's warm outside, it reverses directions and acts like an air conditioner, removing heat. A heat pump moves heat instead of generating it, giving you more energy efficiency.

HSPF – Heating Seasonal Performance Factor. The greater the number/rating the more efficient the heating. A 10 HSPF, for example is a very good rating.

Humidifier – Humidifiers use water to put humidity in the growing space. Many plants we grow indoors are accustomed to growing outdoors in tropical areas where humidity is high. Also certain parts of the country are dryer than others so you will need to add humidity.

Line Set – Insulated copper tubing used to connect the evaporator and condenser. The refrigerant travels back and forth through the line set between the evaporator and condenser to create either cooling or heating.

R-410 – A type of refrigerant. Unlike alkyl halide refrigerants, R-410A (which contains only fluorine) does not contribute to ozone depletion. Because of that attribute it's preferred and used more broadly instead of R-22 which are phased out. R-410 refrigerants allow for higher SEER ratings therein reducing power consumption and improving unit efficiency.

SEER – Seasonal Energy Efficiency Ratio. The greater the SEER rating, the more efficient the cooling system. The minimum SEER rating allowed by the Federal Government is 14.

Ton – The size of air conditioning unit (heating or cooling) is common referred to in “tons”. A one ton unit, for example, is 12,000 BTU's. A two ton, 24,000 BTU's, etc. This was arrived at using a standard of how long it would take to melt ice. A one ton unit takes 12,000BTU's of heat one hour to melt a ton of ice.

VFD – Variable Frequency Drive. The VFD is an electrical device that's used to control the speed and torque of an air conditioning motor, like those used in an inverter compressor.

IMPORTANT

Product not working properly?

DO NOT return this product to the store where you purchased it.

Contact Ideal Air Support directly
at support@ideal-air.com or call

1-877-943-3251

For answers to most common questions and a complete technical support library please visit www.ideal-air.com



All design and specifications herein are subject to change without notice for product improvement. Contact Ideal Air for details, updates and other information.